



a YAGEO company

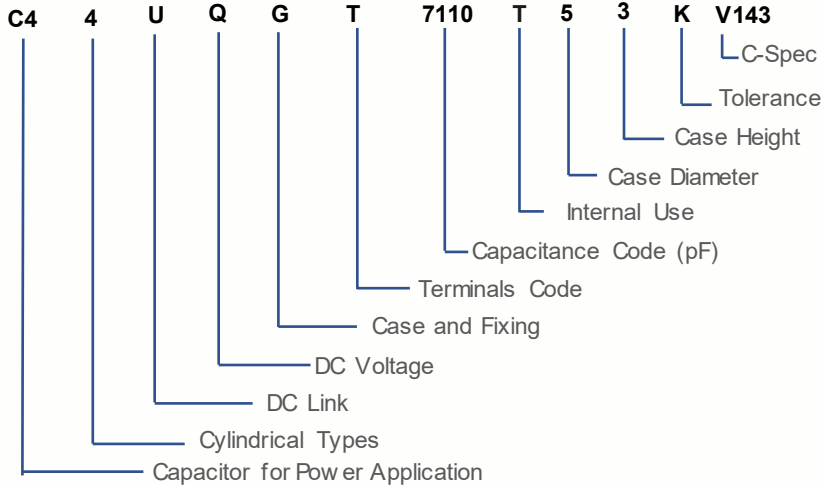
Overview

The C44U-T series is a polypropylene metallized film capacitor with a cylindrical, aluminum can-type design, filled with solid resin. It uses screw terminals for high current and a plastic deck.

Benefits

- Harsh Environment Capability
THB Performance 85°C | 85% R.H. | 1,000 h
- Grade IIIB in accordance with IEC
- High Temperature up to 105 °C Hot Spot
- Long lifetime
- High Ripple Current Capability
- High Capacitance Density

Part Number System



Aluminum DC-Link Power Can Film Capacitors

C44U-T



Electrical Characteristics

Capacitance Range: 90 μ F - 4500 μ F
 Rated Voltage V_{DC} : 900 V - 1800 V

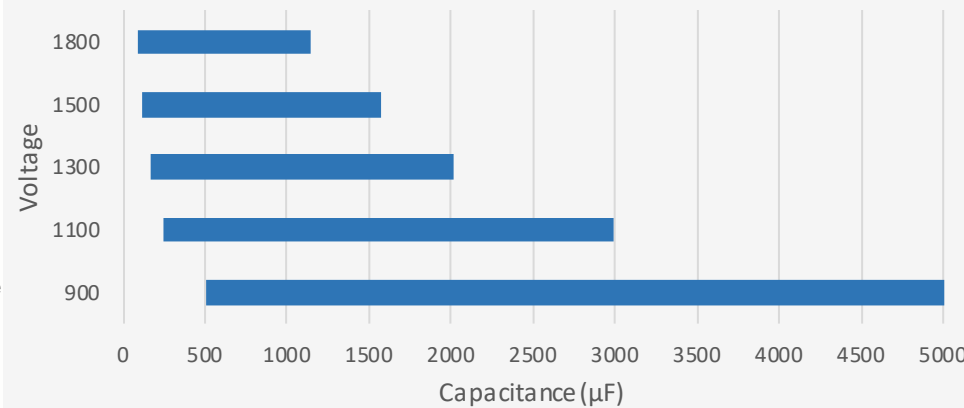
Features

According to UNI EN 45545-2: 2015 for Hazard Levels HL1 - HL2 for Requirements Set R22 and Hazard Levels HL1 - HL2 - HL3 for Requirements Set R23 Available with C-spec

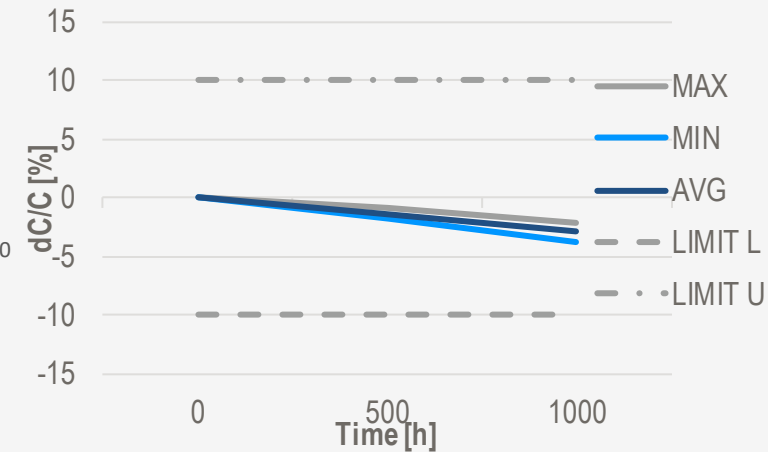
UL810 Construction only

Characteristics

Capacitance Range per Voltage



Harsh Environment | Accelerated Life Test | 85 °C | 85% R.H. | 1,000 h



Applications

- Energy Storage
- DC Link
- DC Filtering
- DC-DC power converter
- Power Supply
- Solar Inverter
- Traction Converters
- welding equipment
- UPS
- Rectifiers