

DC POWER PLUGS

MINIATURE 2.1mm POWER PLUGS

Features and Benefits

- Part of Switchcraft's 2-Conductor Power Plug Family
- Industry standard 2.1mm configuration
- For added security in critical applications, an optional locking ring is available
- Molded plastic handles available in either black or red (other colors available)
- Sleeve terminal serves as cord clamp
- Fully compatible with Switchcraft mating power jacks (see chart on next page)
- Ideal for attaching extra-low voltage devices, such as consumer electronics equipment, to external power
- Overmold options also available - contact Switchcraft for more information

Applications

- Consumer Electronics
- Digital Cameras
- Power Supplies
- Digital Video Recorders
- Personal Audio Equipment
- GPS Automotive Navigation Systems

Product Specifications

Plug Sleeve and Pin: Nickel-Plated Copper Alloy

Lock-Ring: Nickel-Plated Copper Alloy

Lock-Ring Thread Size: 5/16 - 32 UNEF 2B

Finger Insulator: Molded Plastic

Insulating Washers: Rigid Plastic

Sleeve Terminal: Electro-Tinned Copper Alloy

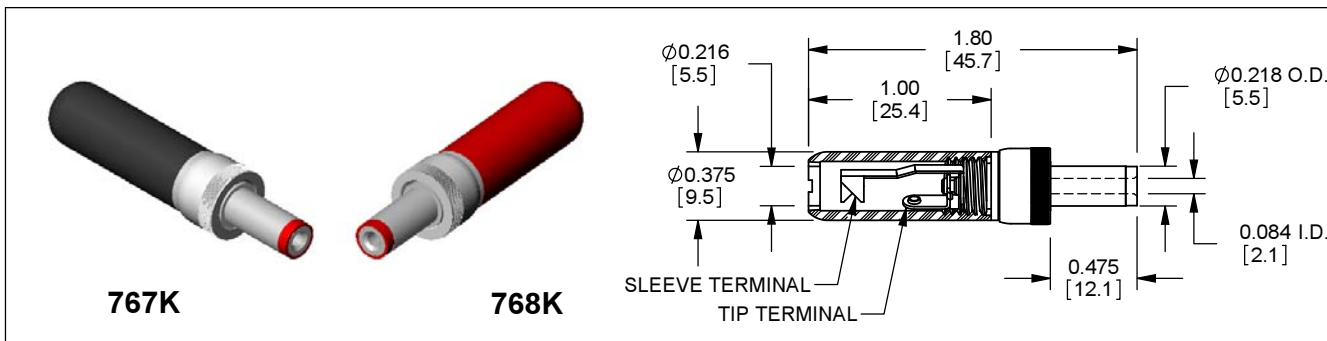
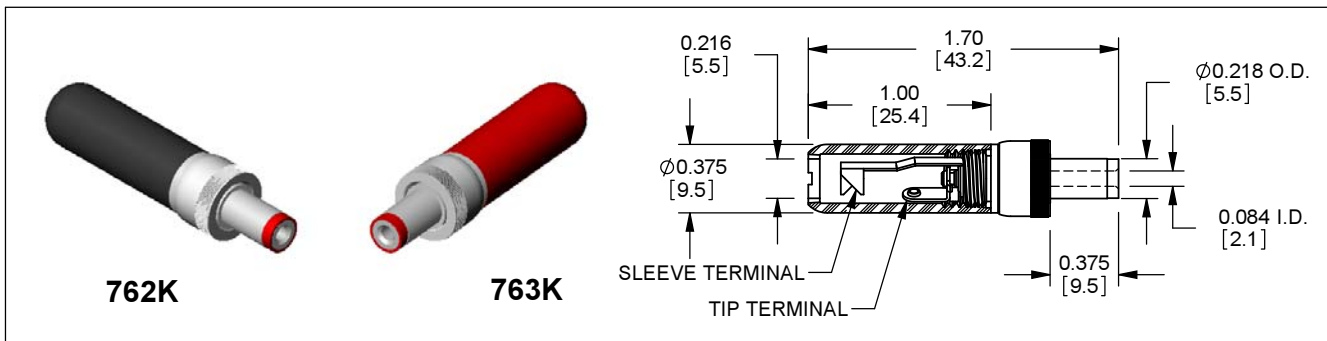
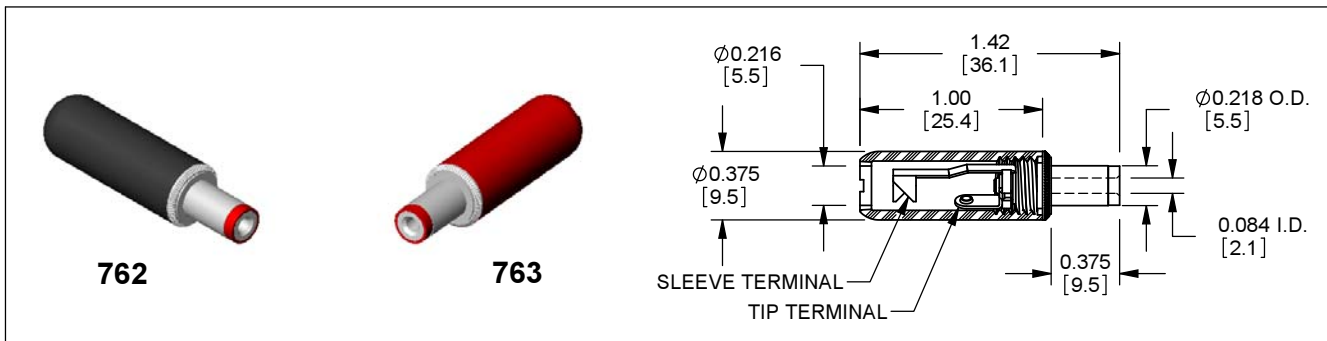
Handle: Molded Plastic

Handle Thread Size: 5/16 - 24 UNF 2B

Electrical: Carry Current - 5 Amps



MINIATURE 2.1 mm POWER PLUGS



PART NUMBERING and MATING CHART (Power Plugs/Power Jacks)

Part Number	Inside Diameter	Outside Diameter	Length "L1"	Length "L2"	Locking Feature	Tip Insulator	Handle Color	Handle Part Number	Mating Power Jacks
762	0.084"	0.218"	0.375"	1.42"	No	Red	Black	M1055	Any 2.1 mm solid or split pin Jack and Switchcraft® Jacks 722A, 722RA, PC722A
763	0.084"	0.218"	0.375"	1.42"	No	Red	Red	M1056	
762K	0.084"	0.218"	0.375"	1.7"	Yes	Red	Black	M1055	Only with Switchcraft® Jacks 722A, 722RA, PC722A
763K	0.084"	0.218"	0.375"	1.7"	Yes	Red	Red	M1056	
767K	0.084"	0.218"	0.475"	1.8"	Yes	Red	Black	M1055	Only with Switchcraft® Jacks L722A, L722RA, PCL722A
768K	0.084"	0.218"	0.475"	1.8"	Yes	Red	Red	M1056	