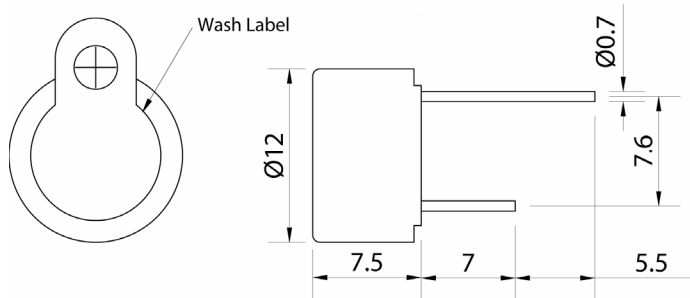


Product APPLICATION Guide

NEW Electromagnetic Indicator Models (Drive Circuit Included)

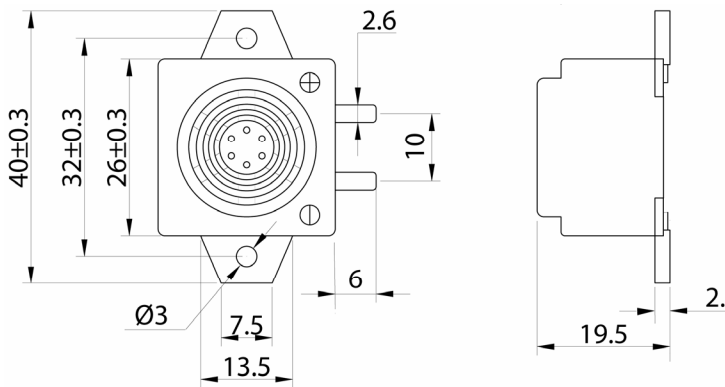


PB-12N32MP-05AQ

Features

- Short 7.5 mm Height
- Wide Voltage Range (3 to 7 Vdc)
- 3200 Hz Continuous Tone
- 90 dB @ 10 cm Typical

RoHS



PK-26N04P-06AQ

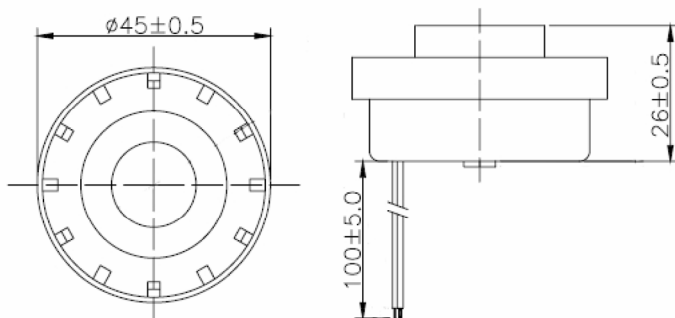
PK-26N04P-12AQ

Features

- Ultra Low Freq. (400-450 Hz)
- Loud: 95 dB @ 10 cm Typical
- PK-26N04P-06AQ: 4 to 8 Vdc
- PK-26N04P-12AQ: 8 to 14 Vdc

RoHS

NEW Extra Loud Piezo Model



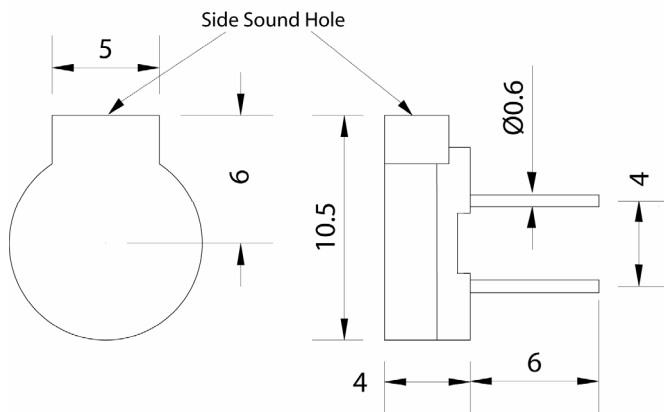
PS-4529W-100AQ

Features

- Wide Voltage Range (1.5 to 15 Vdc)
- Extra Loud: 105 dB @ 30 cm
- 2900 Hz Continuous Tone
- Low Temperature Ratings

RoHS

NEW Electromagnetic Transducer Models (External Drive Circuit Required)

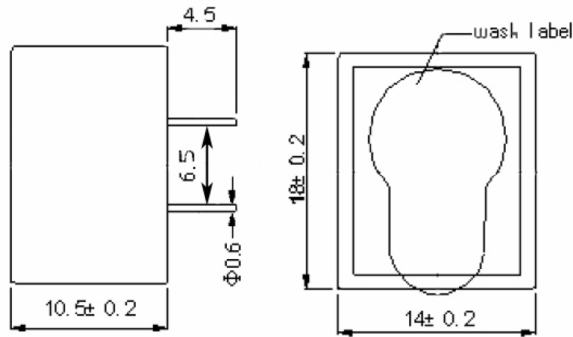


PB-09C27PE-01AQ
PB-09C27PE-03AQ
PB-09C27PE-05AQ



Features

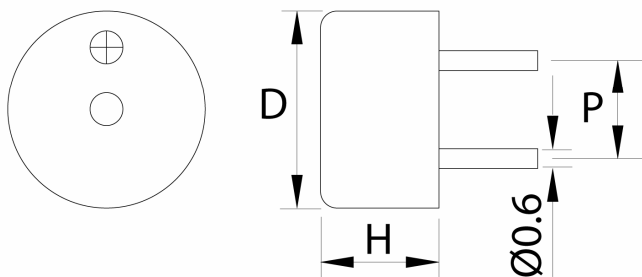
- Ultra Low Height (Only 4 mm)
- 2731 Hz Frequency
- 85 to 90 dB @ 10 cm Typical
- 1.25 to 5.5 Vp-p Voltage Ranges



PB-1820PL-06AQ

Features

- Extra Wide Voltage Range (3 to 10 Vp-p)
- 2250 Hz Frequency
- 90 dB @ 10 cm Typical
- Wash Capable (Sealed)



See Model List Below

Features

- Wide Voltage Ranges
- Short Heights
- Low Temperature Ratings



Part Number	Freq (Hz)	Nominal Voltage (Vp-p)	Voltage Range (Vp-p)	Typical Sound Level (dB @ 10 cm)	D Diameter (mm)	H Height (mm)	P Pin Pitch (mm)
PB-0627PE-05AQ	2731	5.0	4 to 5	75	6.6	3.6	3
PB-0927PD1AQ	2700	5.0	3 to 7	90	9	5.5	4
PB-1226PEAQ	2600	1.5	1.1 to 3	90	12	9.5	6.5
PB-1420PL-03AQ	2000	3.0	1 to 4	90	14	5	7.6