



Market APPLICATION Guide

Surface Transportation

Over-View:

Mallory Sonalert audible alarms are used in almost every type of surface transportation application- from All Terrain Vehicles (ATV's) to Zamboni's. Uses of audible alarms in these applications include:

- Forward Horn
- Dashboard Warning (engine over-temperature, low oil pressure, etc.)
- Safety (platform moving, load bed dumping, tilt warning, etc)
- Back-up

Applications:

- Aftermarket Truck
- Agricultural Equipment
- ATV's
- Buses
- Construction Equipment
- Cranes
- Delivery Trucks
- Dump Trucks
- Electric Cars & Carts
- Excavators
- Forklifts
- Garbage Trucks
- Graders & Haulers
- Industrial Lawn Mowers
- Industrial Utility Vehicles
- Lift Trucks
- Loaders
- Material Handling
- Military Vehicles
- Pavers & Scrapers
- Personal Mobility
- Railway
- Refuse Vehicles
- Rental Trucks
- Scissor Lifts
- Tractors
- Utility Vehicles

Alarms To Use in These Applications:

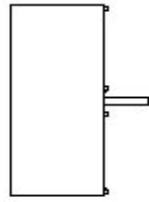
Panel Mount: PK-27A35EPQ, SC616N, SC628, SC628N, SC628ND, SC628P, SC648, SC648D

Board Mount: SBM428, MSR320, MSR516N

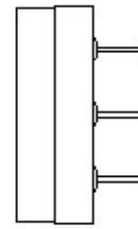
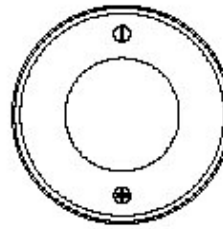
Military/Rugged: SC628M, SC628MN, SC628MD, SC648M

Back-up: PK-27A29ERB481Q, PS-551Q, SC628NJ, STA20302, STA20502, STA22702W, STA30264A, STA35802, STA40802

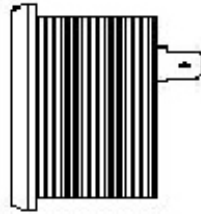
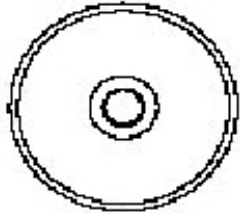
Continued on Next Page →



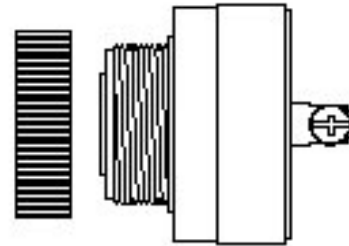
MSR Board Mount Series



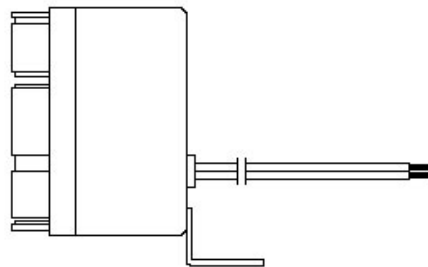
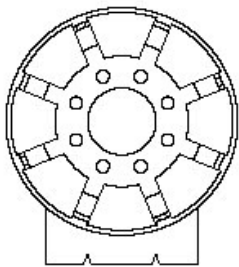
SBM Board Mount



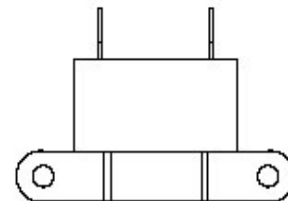
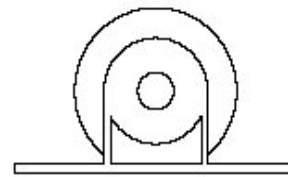
PK-27A35EPQ Panel Alarm



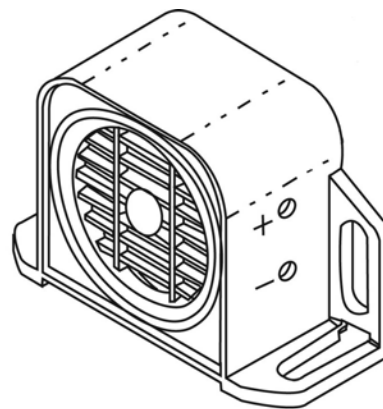
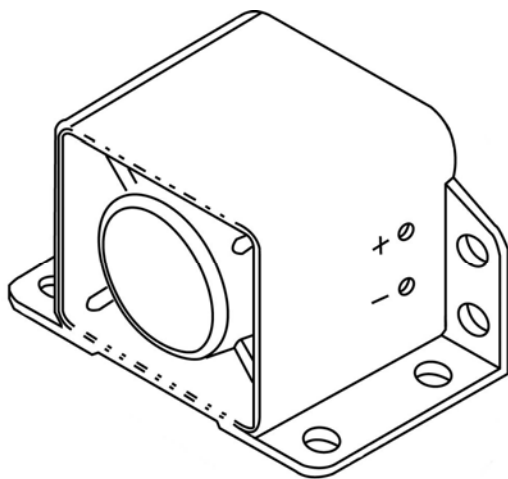
SC Panel Mount Series



PS-551Q Back Up Alarm



PK-27A29ERB481Q



STA Back-Up Alarm Series