

PKR series

Advanced full rubber compact keypads



DISTINCTIVE FEATURES

- Configurable backlight and indicators with RGB LED
- Programmable functions
- Vertical or horizontal mount
- Compact design
- CANopen and J1939 communication protocol



ENVIRONMENTAL SPECIFICATIONS

- Operating temperature : -40°C to +70°C
- Storage temperature : -40°C to +85°C
- Thermal Shock -40°C to +85°C, according to table 2 of ISO16750-4
- Mechanical shock test : IEC 60068 2-27 3-axis X,Y,Z 50Gs 11ms
- Vibration test : IEC 60068 2-6 3-axis X,Y,Z 10-150Hz 0.15mm
- UV protection : UVB 400 hours
- Salt spray Per ASTM B117
- Chemical resistance : engine cleaner, isopropyl alcohol, suntan lotion, multi-purpose cleaner, muriatic acid
- Ingress protection rating : IP67/IP69K



ELECTRICAL SPECIFICATIONS

- Supply voltage : 12-24Vdc Nominal (8-32VDC)
- Standby current : <50 mA
- Communication : BUS CANopen, J1939



PKR series

Advanced full rubber compact keypads



MECHANICAL SPECIFICATION

- Standard connector : deutsch DT04-4P
- Switch life : 3 million operations
- Mounting studs : 2x #10-32 Steel



MATERIALS

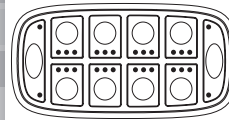
- Rubber specs : silicone rubber with polyurethane hardcoat
- PCB 1,6mm thick, Nema Grade FR-4, double clad with 1oz copper



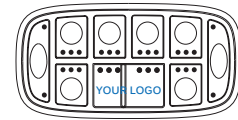
EXTRA FEATURES AVAILABLE ON REQUEST

- Custom laser etched icons
- Specific connectors and cables
- Pad printed logo (only for type 1&2)
- Number of LED per key configurable : 0 to 3

SIZE 1



10 KEYS

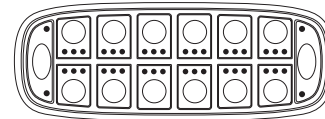


8 KEYS

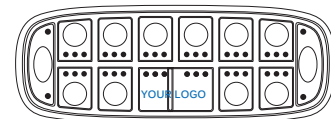


6 KEYS

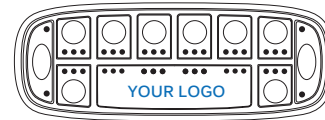
SIZE 2



14 KEYS

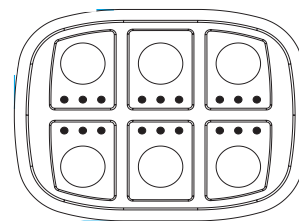


12 KEYS

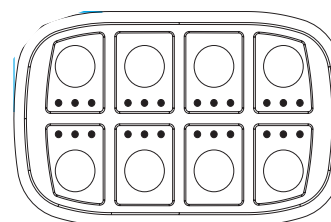


10 KEYS

SIZE 3



SIZE 4

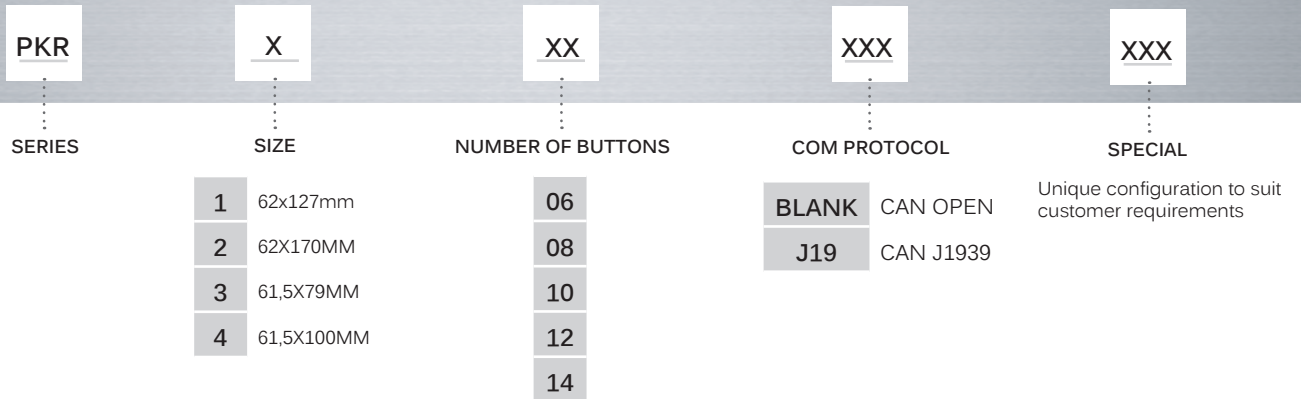


PKR series

Advanced full rubber compact keypads



BUILD YOUR PART NUMBER



ABOUT THIS SERIES

Some configurations are shown on the following pages. Other drawings are available on request.

Notice : please note that not all combinations of above numbers are available. Refer to the following pages for further information.

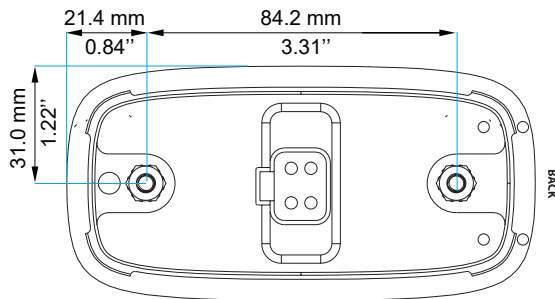
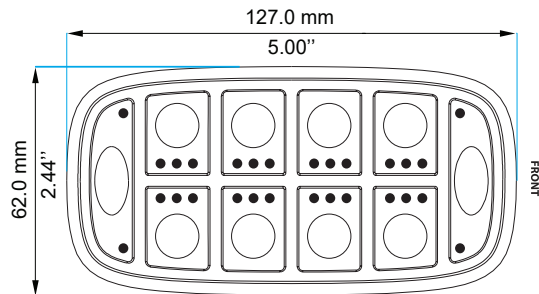
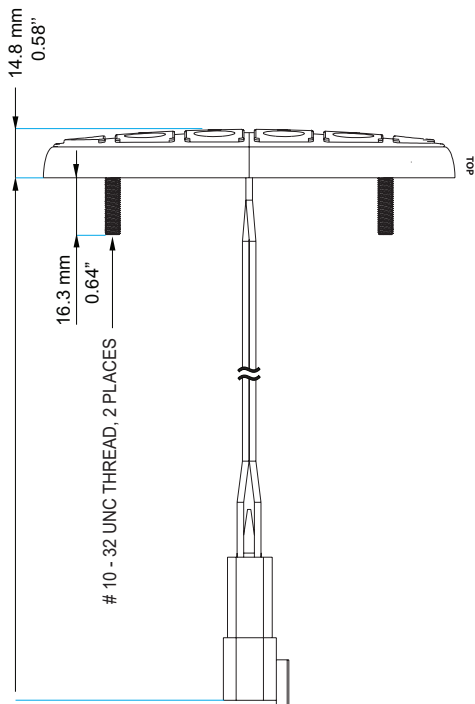
PKR series

Advanced full rubber compact keypads

SIZE 1

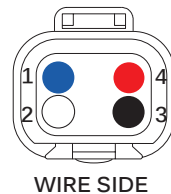


PKR110
PKR108
PKR106



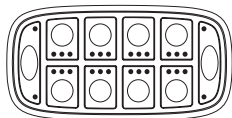
MOUNTING NOTES:
Nuts thread : 2x #10-32
Maximum torque : :1,8Nm - 16lbf-in

All connection wire are the same length

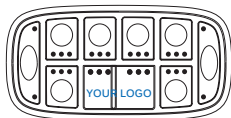


PIN	COLOR	FUNCTION
1	Blue	CAN L
2	White	CAN H
3	Black	Negative battery
4	Red	Vbatt. (12-24V)

The one illustrated above is the standard pinout; however, some keypads may be supplied with alternative pinouts or connectors.



10 KEYS



8 KEYS



6 KEYS

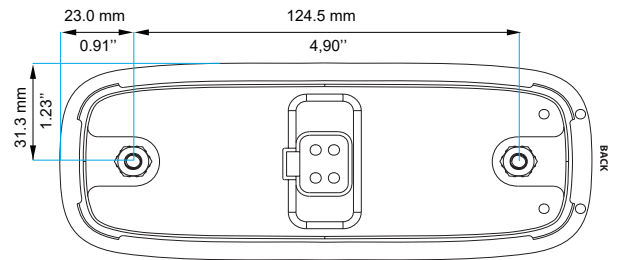
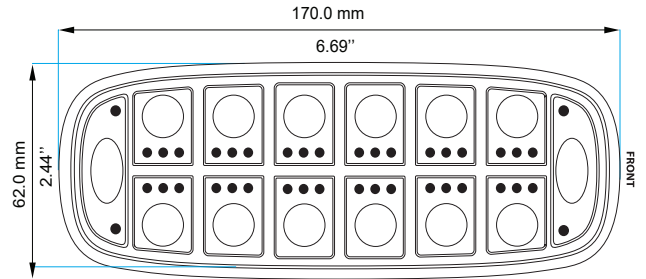
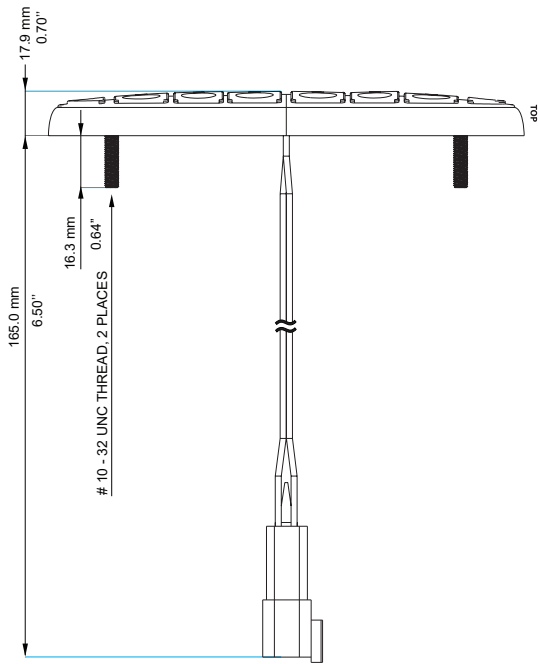
PKR series

Advanced full rubber compact keypads

SIZE 2

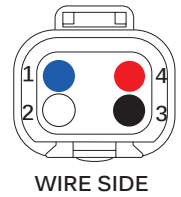


PKR214
PKR212
PKR210



MOUNTING NOTES:
Nuts thread : 2x #10-32
Maximum torque : :1,8Nm - 16lbf-in

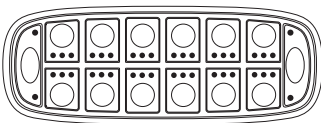
All connection wire are the same length



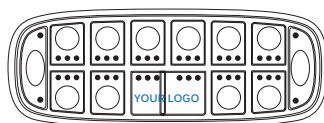
WIRE SIDE

PIN	COLOR	FUNCTION
1	Blue	CAN L
2	White	CAN H
3	Black	Negative battery
4	Red	Vbatt. (12-24V)

The one illustrated above is the standard pinout; however, some keypads may be supplied with alternative pinouts or connectors.



14 KEYS



12 KEYS



10 KEYS

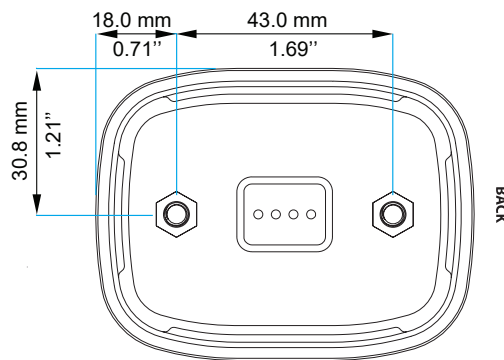
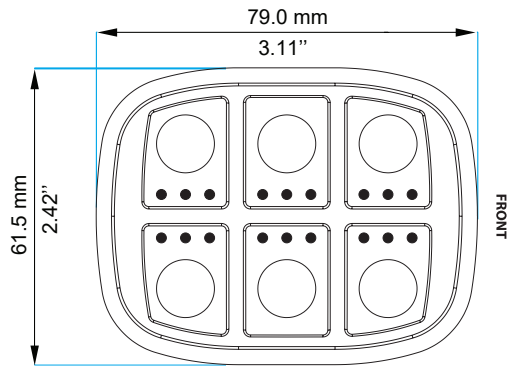
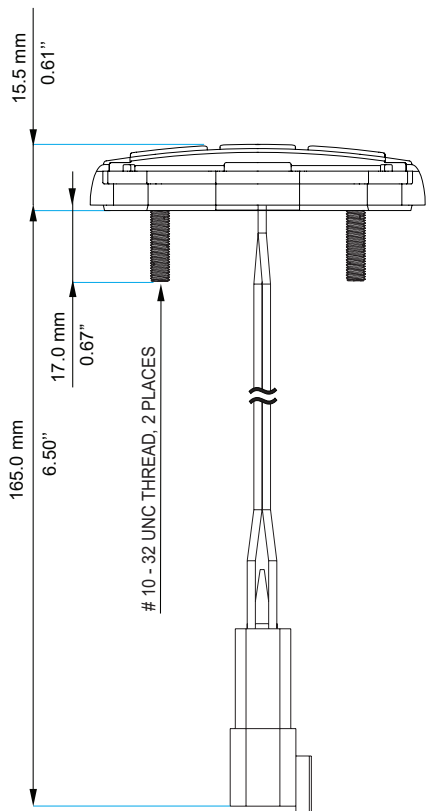
PKR series

Advanced full rubber compact keypads

SIZE 3 - 6 KEYS

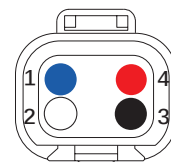


PKR306



MOUNTING NOTES:
 Nuts thread : 2x #10-32
 Maximum torque : :1,8Nm - 16lbf-in

All connection wire are the same length



WIRE SIDE

PIN	COLOR	FUNCTION
1	Blue	CAN L
2	White	CAN H
3	Black	Negative battery
4	Red	Vbatt. (12-24V)

The one illustrated above is the standard pinout; however, some keypads may be supplied with alternative pinouts or connectors.

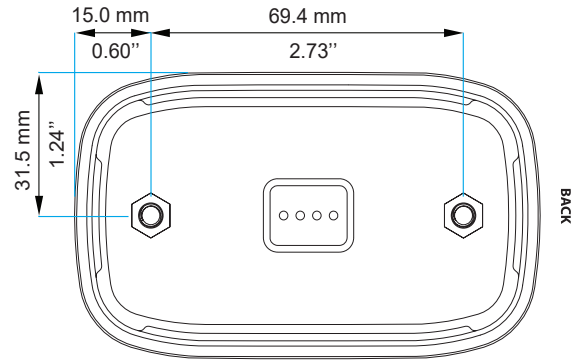
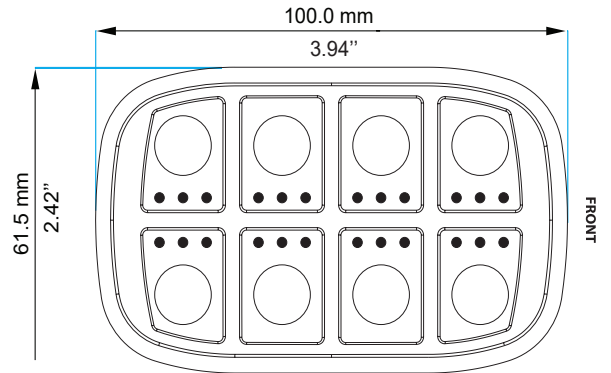
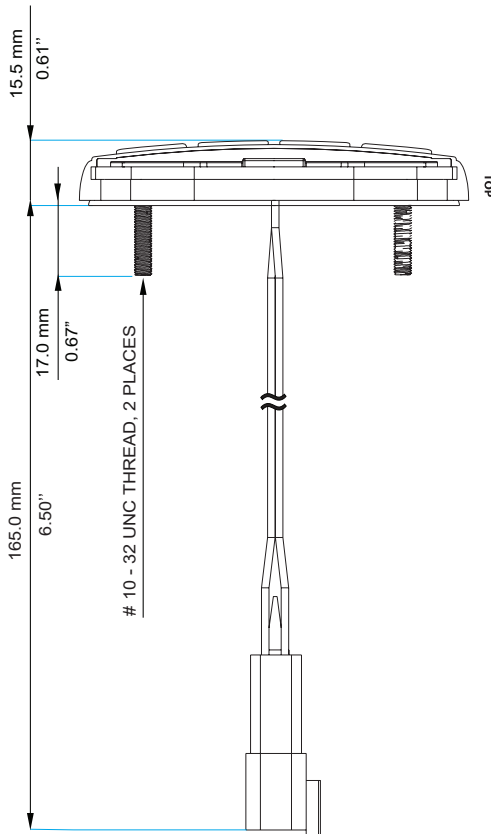
PKR series

Advanced full rubber compact keypads

SIZE 4 - 8 KEYS

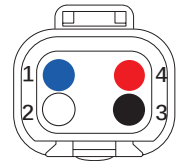


PKR408



MOUNTING NOTES:
 Nuts thread : 2x #10-32
 Maximum torque : :1,8Nm - 16lbf-in

All connection wire are the same lenght



WIRE SIDE

PIN	COLOR	FUNCTION
1	Blue	CAN L
2	White	CAN H
3	Black	Negative battery
4	Red	Vbatt. (12-24V)

The one illustrated above is the standard pinout; however, some keypads may be supplied with alternative pinouts or connectors.